

Problem 02-3

TRANSIENT RESPONSE BY CHANGING THE WAVEFORM

Problem

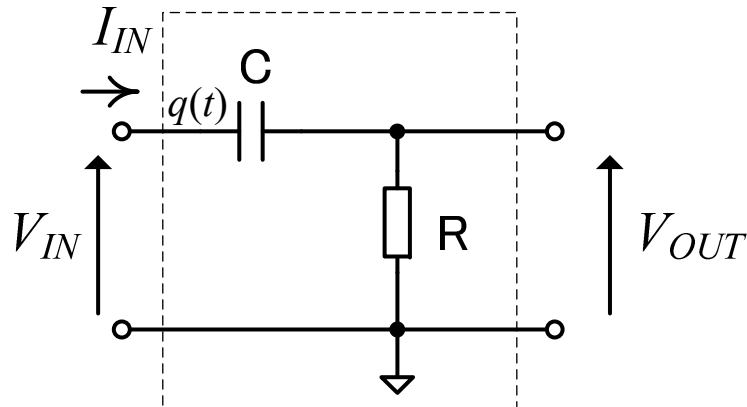


Fig.1

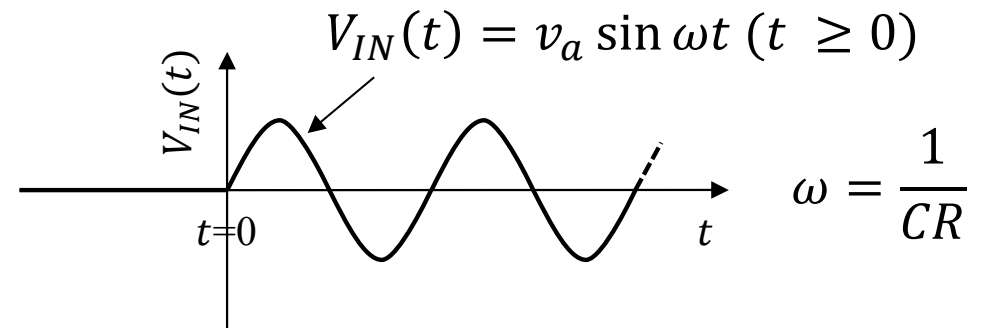


Fig.2

1. Assuming that $q(t = 0) = 0$ and $V_{IN}(t)$ of the circuit shown in Figure 1 is shown in Figure 2 in time-domain, find the formula of $V_{OUT}(s)$ in s-domain and $V_{OUT}(t)$ in time-domain.